



PD10 MANUAL

LIFETIME SERVICE CONTRACT

Upon the expiration of the one-year Warranty, and for as long as this AVIDITY ARMS firearm is owned by the original purchaser, AVIDITY ARMS offers to service and repair any defects or malfunction in this AVIDITY ARMS firearm, excluding the finish, grips, sights or magazine, without charge. Requests for service should be submitted in writing, together with proof of purchase and the firearm (insurance and shipment prepaid by the purchaser), to an authorized service center. Return shipment and insurance shall be paid by AVIDITY ARMS, provided the service is covered by this service contract. This service contract is extended only to the original purchaser, is not transferable, and shall be waived if the defect or malfunction was caused by neglect, abuse, careless handling, willful damage, damage caused by overpressure ammunition, or unauthorized ammunition, ordinary wear and tear, unreasonable use, or failure to provide reasonable and necessary maintenance as set forth in the instruction manual. Moreover, this agreement will not apply to those parts of your AVIDITY ARMS firearm which have been "tuned" or "gunsmithed" for performance other than customized tuning and other services provided by an authorized Armorer.

Please visit [AvidityArms.com](https://www.avidityarms.com), or follow the QR code on Page ** of this manual, to register your PD10 for warranty coverage. Registering will also help us notify you of any Safety Related Information, including Recall or Service Notifications.

NOTICE: It is illegal to, among other things, ship a firearm with ammunition in the firearm or in the same packaging. Firearms and ammunition must be shipped separately. Make sure you are in compliance with all local and federal laws when shipping a firearm for repair under this service contract to any authorized service center.

WARNING: READ THESE INSTRUCTIONS CAREFULLY.

BE SURE YOU UNDERSTAND THESE INSTRUCTIONS AND WARNINGS BEFORE USING THIS FIREARM. FAILURE TO READ THESE INSTRUCTIONS AND TO FOLLOW THESE WARNINGS MAY RESULT IN SERIOUS INJURY OR DEATH TO YOU AND OTHERS AND DAMAGE TO PROPERTY.

THIS SAFETY & INSTRUCTION MANUAL SHOULD ALWAYS ACCOMPANY THIS FIREARM AND BE TRANSFERRED WITH IT UPON CHANGE OF OWNERSHIP OR POSSESSION.



LEARN MORE ABOUT THE USE OF
THIS FIREARM BY FOLLOWING THIS
QR CODE TO [AVIDITYARMS.COM](https://www.avidityarms.com):



ALWAYS FOLLOW THE *BIG PICTURE RULE*.

WHEN YOU ARE IN CONTROL OF A FIREARM, STAY FOCUSED.

DISTRACTION, COMPLACENCY, FAILURE TO ACKNOWLEDGE RISKS, FAILURE TO MITIGATE RISKS TO A REASONABLE LEVEL, FAILURE TO BE EDUCATED IN THE PROPER USE OF ANY FIREARM, FAILURE TO ENSURE THAT YOU ARE SHOOTING INTO AN APPROPRIATE BACKSTOP, FAILURE TO ENSURE THAT YOU ARE USING PROPER AMMUNITION AND ACCESSORIES, FAILURE TO EDUCATE OTHERS ABOUT THE PROPER USE OF FIREARMS, FAILURE TO PREVENT UNAUTHORIZED ACCESS TO YOUR FIREARMS, FAILURE TO PAY ATTENTION TO YOUR SURROUNDINGS WHEN USING A FIREARM AND/OR OTHER FAILURES TO STAY FOCUSED ON PREVENTING INJURY OR DEATH INVOLVING A FIREARM CAN RESULT IN INJURY OR DEATH TO YOU OR SOMEONE ELSE.



**LEARN MORE ABOUT THE USE OF THIS FIREARM BY
FOLLOWING THIS QR CODE TO [AVIDITYARMS.COM](https://www.avidityarms.com):**



TABLE OF CONTENTS

Safety	6
About The PD10 Pistol	7
Features	9
Parts Diagram & List	10
Verifying that pistol is UNLOADED	12
Function Testing	14
Field Stripping Procedure	16
Cleaning & Maintenance	18
Loading & Firing	20
Using Iron Sights or Red Dot Sight (PD10-OC)	24
Responsible Storing, Staging & Carrying Procedures	26
Clearing Malfunctions	28
Warnings & Legal Notices	30
Ammunition Safety	34

Being “safe” with your PD10 Pistol means always being confident that the risks of any activity are mitigated to the point where they are significantly outweighed by your perceived benefits of that activity.

SAFETY RULES

1. Keep your trigger finger (and all others) somewhere other than the trigger until you are ready to shoot.
2. Keep the pistol pointed in a generally safe direction whenever possible.
3. Whenever handling a firearm, keep in mind that you are in control of a weapon that can hurt or kill you or someone else if used negligently or maliciously.

Gun Ownership comes with many RESPONSIBILITIES. Meeting *your* responsibilities starts with becoming educated about your firearm and its proper use. This manual will provide detailed information about your PD10 Pistol and its operation. Avidity Arms recommends that you attend a quality live-fire shooting course conducted by a certified professional educator before relying on your ability to use this, or any other firearm, for defensive purposes or carrying it in the public space for that purpose. There are many options available. We highly recommend any instructor affiliated with *I.C.E. Training Company*, *Personal Defense Network™*, *Association of Defensive Shooting Instructors* or *Guns For Everyone™* National as well as instructors certified to teach *Intuitive Defensive Shooting*, *Combat Focus™ Shooting*, *Dynamic Focus Shooting* or the *USCCA™'s Defensive Shooting Fundamentals* courses.

The **PD10 Pistol** was designed by Rob Pincus, a defensive shooting instructor with over twenty years of experience educating both armed professionals and individuals to be better prepared to defend themselves, or those they care about, with handguns. During his career, he has closely observed many thousands of students developing shooting skills with virtually every type of modern handgun design. Those observations fueled his design criteria in the interest of making the PD10 an efficient to shoot and comfortable to carry defensive handgun that would fit as many human hands as possible. The handgun would be a slim, striker fired 9mm semi-automatic that shot like a full-size pistol, but carried like a compact... with a trigger feel that was optimized for defensive shooting.

In March of 2013, at a bar in Nuremberg, Germany, Pincus sat with a small group of friends contemplating forming their own firearms manufacturing company. After several follow-up discussions, a few of the people involved committed to a plan. Michael Sodini, with over 20 years of experience selling firearms in the US, would lead the new company. Rob Pincus took on the task of designing the first firearm that Avidity Arms would bring to market. In early 2014, at a meeting in St. Augustine, FL, the primary characteristics and features of the pistol were locked in. Later that year, Pincus approved a preliminary design and models were created. After a few significant changes and a couple more rounds of modeling, the first PD10 Prototypes were fired in 2015. Over a period of about two years, PD10 Prototypes were shot by hundreds of people at many industry events and training classes. Tweaks to improve the design, internally and externally, were made all along the way and Chuck Usina joined the ownership team with his decades of gunsmithing experience & insight. Things were going well for Avidity Arms... until progress on the project stopped in late 2017 for reasons that had nothing to do with the PD10. By the time Avidity Arms was ready to move forward, the world was locked down. Restarting the project was a slow process.

In 2022, after the pandemic pause, Avidity Arms added the “missing link” partner: Joe Worley brought manufacturing experience and capability inside the company for the first time. Joe’s team at Alphatech, Inc. stripped the engineering models back to the first steps and put the final touches on the design to make it possible to deliver the 100% US Made PD10 to the market in early 2023. The production PD10 and PD10-OC are true to Pincus’ original design criteria for an efficient 9mm defensive carry pistol and we believe that they are worth the wait!

SPECIFICATIONS

Caliber: 9mm

Action: striker-fired

Capacity: 10+1

Barrel Length: 4"

Frame: Polymer

Overall Length: 6.94"

Width at widest: 1"

Weight: 18.8 oz.

Isonite™ Coating on most metal parts



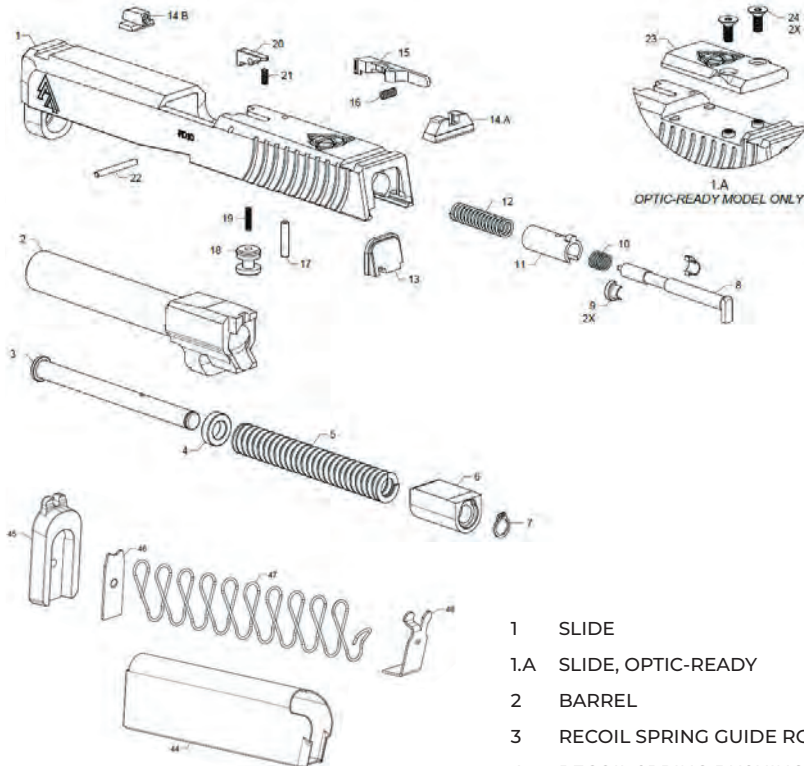
PD10 FEATURES

1. Ergonomic Slim Grip
2. Deep Tang
3. Aggressive Grip Pattern
4. Accessory Rail
5. Safety Index Point
6. Contoured Slide Stop
7. Slide Stop Standoff
8. Aggressive Slide Serrations
9. Loaded Chamber Indicator
10. Captured Recoil Spring
11. Large Square Front Sight
12. Magazine Extraction Relief Cut
13. Flared Magazine Well
14. Drop Free metal magazine
15. Claw Feature on Magazine Baseplate
16. Claw Emergency Manipulation Rear Sight
17. Gray Frame decreases chances of accidental exposure
18. Oversized Magazine Release
19. Undercut Trigger Guard
20. Steel Trigger-Tab Safety
21. Striker Blocking Drop Safety
22. Angled Trigger Face
23. Low Variance Trigger with Short Reset
24. Slide Cut for Red Dot Sight (PD10-OC Model Only)

LEARN MORE about these features
using this QR Code:



EXPLODED DIAGRAM of Pistol & Magazine



- 5 RECOIL SPRING
- 6 RECOIL SPRING SHROUD
- 7 RECOIL SPRING RETAINER
- 8 STRIKER
- 9 STRIKER SPRING RETAINER
- 10 STRIKER RETURN SPRING
- 11 STRIKER SLEEVE
- 12 STRIKER SPRING
- 13 BACK PLATE
- 14.A REAR SIGHT
- 14.B FRONT SIGHT
- 15 EXTRACTOR
- 16 EXTRACTOR SPRING
- 17 EXTRACTOR PIN
- 18 SAFETY PLUNGER
- 19 SAFETY PLUNGER SPRING
- 20 CHAMBER INDICATOR
- 21 CHAMBER INDICATOR SPRING
- 22 CHAMBER INDICATOR PIN
- 23 OPTIC CUT COVER PLATE
- 24 FLAT HEAD SCREW (M3 - 0.5 X 8MM)

- 25 FRAME
- 26 MAGAZINE CATCH
- 27 MAGAZINE CATCH SPRING
- 28 REAR RAIL INSERT
- 29 DISCONNECTER
- 30 EJECTOR
- 31 TRIGGER ASSEMBLY
- 32 TRIGGER SPACER
- 33 TRIGGER RESET SPRING
- 34 SLIDE STOP
- 35 SLIDE STOP SPRING
- 36 FRONT RAIL BLOCK
- 37 BARREL CAM PIN
- 38 ASSEMBLY CATCH
- 39 ASSEMBLY CATCH SPRING
- 40 FRONT ASSEMBLY PIN
- 41 TRIGGER PIVOT PIN
- 42 REAR RAIL INSERT PIN
- 43 REAR ASSEMBLY PIN
- 44 MAGAZINE TUBE
- 45 MAGAZINE BASEPLATE
- 46 MAGAZINE LOCK PLATE
- 47 MAGAZINE SPRING
- 48 MAGAZINE FOLLOWER



Verify that your Pistol is UNLOADED using the Administrative Unloading Procedure:

1. Ensure that the pistol is pointed in a safe direction: One that, if the gun were to fire, the bullet would strike a surface intended to (or capable of) absorbing the energy of a bullet strike without causing harm to anyone.
2. Remove Magazine from Firearm
3. Pull slide fully to the rear without blocking the ejection port.
4. Push up on the Slide Lock and release the slide onto it.
5. Visually and physically inspect the chamber area to ensure there is no ammunition in the gun.
6. Have a second person confirm that the gun is unloaded whenever possible.

To **LEARN MORE** about this procedure, use this QR Code:





Function Testing your PD10:

1. With Pistol pointed in a safe direction, ensure that it is unloaded by removing magazine, locking slide open and inspecting chamber area. Have a second person verify that the pistol is unloaded whenever possible.
2. Pull trigger to rear and listen for the striker to release. Then release trigger.
3. Pull back on rear of slide and release after full travel. Observe trigger reset.
4. Pull trigger to the rear and listen for striker to release. Keep trigger held against frame.
5. Pull back on rear of slide and release after full travel. Slowly release pressure on trigger and feel it reset. Once trigger has reset, press rearward from reset point and listen for striker to release.

IF STRIKER FAILS to RELEASE or TRIGGER to RESET AT ANY POINT: PISTOL IS NOT READY FOR USE.

Field Strip and inspect for broken parts. Replace any user serviceable parts. Lubricate & reassemble, then Repeat function test. If trigger or striker fail at any point on second test, do not attempt further action with pistol. Store pistol appropriately and contact **Avidity Arms, LLC** or Authorized Armorer.

To Function Test Continued: Slide Lock and Magazine Release

6. With Pistol pointed in a safe direction, ensure that it is unloaded by removing magazine, locking slide open and inspecting chamber area. Have a second person verify that the pistol is unloaded whenever possible.
7. Insert EMPTY Magazine and pull slide fully to rear and release. Slide should lock open.
8. Press magazine release inward. Empty Magazine should drop free.



Field Stripping Procedures:

1. With Pistol pointed in a safe direction, ensure that it is unloaded by removing magazine, locking slide open and inspecting chamber area. Have a second person verify that the pistol is unloaded whenever possible.
2. Put slide into battery by pulling back on the rear of the slide and releasing.
3. With pistol pointed in a safe direction, pull the trigger fully to the rear.
4. Pull down on both sides of the slide lock lever and then gently push the slide forward and remove from slide.
5. Push Forward on the back of the recoil spring assembly to release pressure against barrel and set it aside.
6. Remove Barrel by pushing down on chamber area.

To restore your PD10 to functioning condition:

7. Insert Barrel into slide.
8. Press Recoil Spring Assembly into place between Slide & Barrel.
9. With trigger in correct position, pull the slide into place on frame from front to rear.
10. With pistol pointed in a safe direction, complete function test (page 10).

DO NOT DISASSEMBLE YOUR PD10 FURTHER THAN HAS BEEN COVERED IN THIS MANUAL



Cleaning & Maintaining your PD10 Pistol

Your PD10 is designed to function reliably even after having already fired hundreds of rounds of ammunition. Production examples have been fired over 5000 Rounds without any part failures or replacements. It is recommended that you wipe down and lubricate your pistol after every practice session. You should clean & inspect the pistol for damaged or broken parts after every class or 1000 practice rounds.

To clean your PD10 you will need a pistol cleaning kit (including solvent and lubricant) intended to be used with a 9mm handgun. We recommend Breakthrough Clean or Aegis Gun Care Products. **ALWAYS VERIFY THAT YOUR PISTOL IS UNLOADED** before beginning any lubrication or maintenance activity (page X-X).

1. Field Strip your PD10 as directed on pages 12.
2. Wipe all surfaces with a clean dry cloth.
3. Use a brass or stiff plastic brush to remove any build up on breech face, around/under extractor, on feed ramp or around muzzle. Use solvent as necessary.
4. Use patches and a 9mm bore brush (as directed by manufacturer) to clean barrel bore.
5. LIGHTLY Lubricate only* the surface areas indicated in pictures on Page 20.
 - a. *If pistol is going to be stored for an extended period, a light coat of oil may be applied to all metal surfaces for protective purposes.
6. Assemble Pistol and perform a Function Test.

Recommended Lubrication



Loading and Firing your PD10 Pistol

ONLY use ammunition that is loaded within SAAMI specified pressure ranges and acceptable dimensions for 9mm Luger, 9mm Parabellum or 9mm NATO calibers. It is safe to use “9mm +P” Rated Ammunition, but extended use of high-pressure rounds can shorten the useful life of some parts of your pistol.

Factory Supplied PD10 Magazines are designed to hold 10 rounds of 9mm ammunition. You may choose to chamber a round (see Step 3, Page 22) from a loaded magazine and then “top off” that magazine by replacing the chambered round and re-inserting it into the pistol, giving you a total capacity of 11 rounds when carrying or staging the pistol for defensive purposes.

1. Load rounds into the magazine by applying pressure to the front of either the follower or top round currently loaded in the magazine with the next round to be loaded, pushing the new round back into the magazine once it is completely below the magazine lips.



First Round



Additional Rounds

2. To **LOAD THE PISTOL**: While holding the gun with a solid grip in your primary hand, at the compressed ready position, with your trigger finger on the Safety Index Point and the pistol pointed in a safe direction, insert the Magazine fully into the pistol.
- a. This can be done with the slide locked open OR in the fully forward position (“in battery”). You may want to tug on the magazine baseplate to ensure that it was properly seated.



3. To **CHAMBER A ROUND** for firing: Ensure your trigger finger is on the Safety Index Point. Using your support hand, with your thumb pointed back towards you, pull back sharply on the slide and then release from the full rearward position. You may apply forward pressure with your primary hand on frame of pistol while “racking” the slide rearward. The pistol is now **READY TO FIRE!**



4. Place your support hand on the grip of the handgun as shown to the right:
5. Focus your eyes onto your target, ensuring that you are in front of an appropriate backstop (“safe direction”) and that no people will be in front or your muzzle while firing.



Proper Two Handed Grip

6. Drive your pistol out so that it is in and parallel with your line of sight to the target. Semi-automatic pistols require a stable platform while being fired, so that the frame will remain as still as possible while the slide cycles backwards allowing the processes of extraction, ejection and chambering to take place while the trigger mechanism is reset for the next shot. Your arms should be straight and your shoulders engaged in front of your torso, as shown below:
7. With the pistol at full extension in your line of sight, you have the choice of utilizing kinesthetic alignment while keeping both eyes open and focused on the target OR using visual reference on your iron sights, a “red dot” sight or a laser aiming device to AIM at your desired target. Regardless of which method you are using, you will generally move your trigger finger to your trigger while you are aiming in preparation to fire your first shot.

8. To FIRE YOUR PISTOL, press the trigger smoothly enough that your aim is not disturbed and the gun maintains its alignment on the target. The Smooth Strike™ Trigger on your PD10 is designed to be pressed fully rearward at a constant speed until the gun fires. The appropriate speed will be determined by the challenge presented by the target and your personal skill.
9. Maintain your grip and shooting position while the pistol recoils and cycles, settling it back onto the target.
10. Allow the trigger to move forward after firing, either a short distance so that it resets and you may fire another round with a shorter trigger pull OR allow the trigger to return to its fully forward position and bring your trigger finger back to the safety index point if you are not going to immediately fire another round.
 - a. If you are not going to shoot again, bring the gun back to the compressed ready position and unload it (page 9), place it on a safe surface or into an appropriate holster/safe. It is recommended that you NOT stage a loaded pistol with a round chambered and the trigger exposed. Use a holster or trigger guard to prevent an unintended discharge when you are retrieving the gun from a safe or leave the chamber empty. NEVER leave a loaded pistol unattended in the open!
11. When you fire the last round in the magazine, the gun should lock open. Press the magazine release to allow the empty magazine to drop free and go back to Step 2 to continue shooting.

Using your Iron Sights:

The defensive sights that come installed on your PD10 Pistol have been set up to allow you to efficiently hit a 3" circle out to 25 yards. The sights are designed to allow you to quickly obtain sight alignment and sight picture under the vast majority of plausible situations. When using them to aim, you should close one eye. You can Learn More about this topic at Personaldefensenetwork.com.

Sight Alignment

Ensure that there are equal amounts of light on either side of the front site inside the rear sight notch and that the tops of the sights are even.



Sight Picture

Focus on your front sight and super-impose it over your target, while maintaining alignment with rear sight.

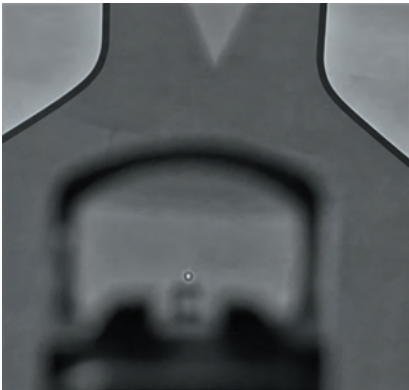


Using a “Red Dot” Sight on a PD10-OC:

The defensive sights that come installed on your PD10 Pistol have been set up to allow you to efficiently hit a 3” circle out to 25 yards. The sights are designed to allow you to quickly obtain sight alignment and sight picture under the vast majority of plausible situations. When using them to aim, you should close one eye. You can Learn More about this topic at Personaldefensenetwork.com.

Sight Picture

Focus on the aiming image (dot, circle, chevron, etc.) and superimpose it over your target.



Smooth Trigger Press

Press your trigger smoothly while maintaining Sight Picture, until the gun fires.



Responsibly Storing, Staging or Carrying your Pistol

The PD10 was designed to be staged or carried as a defensive pistol after the owner is appropriately trained in its use. We recommend owners attend live fire training courses conducted by certified professional educators before staging or carrying a handgun for defensive purposes. Until that time, or whenever the pistol is not being used, responsibly *storing* your PD10 means that you are taking steps to prevent unauthorized access to your firearm. Some States and Countries have specific laws dictating who you are supposed to store your firearms, particularly if you have children in your home. *YOU ARE RESPONSIBLE for knowing the laws in your area! Neither this manual nor Avidity Arms, LLC intends or claims to provide legal advice.* Best Practices for responsible storage include keeping your guns in a gun safe, locked case, locked closet or room (particularly if the doors/locks are strengthened against forced entry), or keeping them unloaded with cable or trigger locks installed. A cable lock was included with your PD10 when shipped from the factory. If you possess a PD10 but do not have a lock and require one, contact Avidity Arms, LLC or the National Shooting Sports Foundation immediately to obtain one at no charge. You should secure your guns from the following categories of people:

1. People who are uneducated in the proper use of firearms or physically incapable of controlling them.
2. People with criminal intent who pose a danger to themselves or others.
3. People who are unable to understand the potential ramifications of firearms misuse.
4. People who are suicidal or whose mental state prevents them from perceiving what is going on around them accurately (including under the influence of alcohol, hallucinogens, narcotics, etc..)

Staging a pistol for defensive use means that you are taking appropriate steps to prevent unauthorized access, but all that you can efficiently obtain your firearm and have it ready for defensive use. One example would be to place your loaded pistol, with a round chambered into a holster and then lock them both in a Quick Access Safe (QAS). There are several manufacturers of reliable QAS' that utilize a variety of lock types to allow access to your gun in a less than a few seconds during an emergency. QAS's may use push button combinations, biometric scanners, RFID Switches or other mechanisms. Some QAS's utilize multiple options for redundancy. Whichever QAS you choose, be sure to practice opening it frequently so that you are more likely to be successful during an emergency event. You can learn more about your options and best staging practices at personaldefensenetwork.com.

Carrying a Defensive Pistol is not something that should be done without training, practice and a proper holster. Laws governing the carrying of concealed firearms vary dramatically from one place to another, as do the requirements for obtaining a permit to do so, where they are needed. Again: **YOU ARE RESPONSIBLE FOR KNOWING THE LAWS IN YOUR AREA.** If you have made the decision and taken the necessary steps to carry a defensive firearm responsibly, we encourage you to use a holster that is specifically designed to fit the PD10 Pistol. Several Companies are offering such holsters, visit our website and/or social media pages for links and recommendations. A Proper Holster should do 3 things:

1. Protect the trigger area of the pistol to prevent unintended discharges.
2. Retain the pistol during plausible levels of activity while you are wearing it.
3. Maintain the position (location and angle) of the pistol on your body, so that you can quickly obtain a good grip on the pistol for presentation during an emergency.

Clearing Malfunctions

The PD10 Pistol has been designed with reliability as a primary focus. Of course, any mechanical device is subject to failure. Semi-automatic firearms rely on quality ammunition loaded to the right specifications and a shooter using a solid platform to stabilize the frame during cycling to function properly. Proper maintenance and lubrication also contribute to any pistol's reliability. If you are confident that your shooting position, ammunition and maintenance are in good order and you are experiencing frequent malfunctions, contact our Customer Service Department immediately!

If your PD10 is properly maintained and you are using quality ammunition, the most likely cause of any malfunction is, unfortunately, you. The good news is: YOU can fix yourself! Make sure that your grip on the gun is high on the grip (no gap above the web of your hand between the thumb and index finger) and that your arms are fully extended forward, with shoulders pulled in front of your torso. Your body should be squared up and facing the target, with you hips bent forward and feet about equal distance away from the target. This body weight forward, fully extended shooting position will provide the best platform for reliability with any semi-automatic handgun. Remember: You are not supposed to be "absorbing recoil", the gun is engineered to utilize recoil energy to function, so long as you provide stability for the frame. Arms Straight!

If you do have a malfunction, regardless of the reason, it is very likely that you can quickly clear it from your PD10 and get back to shooting by following the steps outlined on the next page. The process is called the *Non-Diagnostic Linear Malfunction Response*.

If you attempt to fire the PD10 and nothing happens, should remove your finger from the trigger as you pull the pistol and smack the bottom of the magazine with your support hand to make sure that it is fully seated. Then quickly bring your support hand up and over the top of the slide, with your thumb pointed back towards your, and “rack” the slide by pulling it fully rearwards and releasing. That procedure (referred to as a “tap & rack”) should get you back into a condition that will allow you fire the pistol. But, it is possible that the Tap & Rack doesn’t solve your particular problem:

- If, after completing a tap & rack, the gun still doesn’t fire when you press the trigger, try performing a reload with a new magazine.
- If, after tapping the magazine and racking the slide, the pistol is locked open, you should simply perform a reload: press the magazine release to let the empty magazine drop free, insert a new one and rack the slide.
- If, when you go to tap the magazine, you feel that there is no magazine in the gun, there is no point in racking the slide yet. Switch to performing a reload and then shoot again when ready.
- If, after you rack, the slide does not go back to its fully forward position:
 - Press the magazine release button while using your support hand to rip the magazine out of the gun.
 - Once the magazine is clear, use your support had to rack the slide 2 or 3 times, which should clear any obstruction that was present. Once the slide feels like it is moving fully forward after you release, perform a regular reload and your gun should be functional.

IF THESE STEPS DO NOT CLEAR YOUR MALFUNCTION: Verify that your gun is unloaded and start again (pg 10). If problems continue, seek assistance from a Range Safety Officer and contact Avidity Arms, LLC.

ADDITIONAL SAFETY WARNINGS AND REMINDERS:

- **YOU ARE RESPONSIBLE FOR YOUR FIREARM(S) AT ALL TIMES.** In owning a firearm, you must undertake full-time responsibility for your firearm's appropriate use and security. You must protect yourself and all others against injury or death from inappropriate use of any firearm at all times.
- **APPROPRIATE USE OF YOUR FIREARM MEANS USING YOUR FIREARM FOR LEGAL PURPOSES.** For example: training, practice, target shooting, competition, hunting and lawful resistance of deadly force. It is your responsibility to know the laws governing firearms ownership and use to which you are subjected.
- **NEVER RELY ON MECHANICAL SAFETY FEATURES ALONE.** Only your responsible ownership and use will prevent injury or death involving your firearms.
- **ALWAYS USE THE CORRECT AMMUNITION FOR YOUR PARTICULAR FIREARM** as indicated by the marking on the firearm. Never use non-standard, damaged, corroded, reloaded or "handloaded" ammunition which has not been subjected to internal ballistic pressure testing.
- **BEWARE OF BARREL OBSTRUCTIONS.** Be sure the barrel is clear of obstructions before shooting. Any obstruction can cause a dangerous increase in pressure and may damage your firearm and/or cause injury or death to you or others.
- **BE SURE ALL ACCESSORIES, INCLUDING AMMUNITION AND HOLSTERS, ARE COMPATIBLE** with your firearm and that the accessories do not interfere with safe operation of your firearm. It is your responsibility to understand and follow all of the instructions in this manual, as well as those which may accompany accessories, including ammunition.
- **NEVER DISASSEMBLE YOUR FIREARM** further than is described in this manual. Improper disassembly or reassembly of your firearm can lead to injury or death.

- **NEVER MANIPULATE, ADJUST OR CHANGE ANY OF THE INTERNAL COMPONENTS OF YOUR FIREARM** in any way not specified in this manual.
- **NEVER ALLOW ANY ALTERATION OR REPLACEMENT OF PARTS IN YOUR AVIDITY ARMS FIREARM UNLESS PERFORMED BY A CERTIFIED AVIDITY ARMS ARMORER.**
- **DO NOT PERFORM**, nor allow others to perform, **IMPROPER OR NEGLIGENT MODIFICATIONS OR REPAIRS TO THE FIREARM.**
- **NEVER** modify your firearm in any way to **REDUCE OR NEGATE THE OPERATION OF INTERNAL SAFETY MECHANISMS.** Modifying **ANY** part of the trigger or striker mechanisms in your firearm can dangerously affect internal safety mechanisms and result in injury or death to you or others.

SAFETY RULES

1. Keep your trigger finger (and all others) somewhere other than the trigger until you are ready to shoot.
2. Keep the pistol pointed in a generally safe direction whenever possible.
3. Whenever handling a firearm, keep in mind that you are in control of a weapon that can hurt or kill you or someone else if used negligently or maliciously.

SAFE STORAGE and PREVENTING UNAUTHORIZED ACCESS

When your firearm is not under your immediate Control, it is your responsibility to prevent unauthorized access to your firearm. Those who should not be allowed to access, possess, utilize or attempt to control a firearm include:

Persons not physically capable of operating or controlling the firearm properly.

Persons not intellectually capable of understanding how to operate or control the firearm properly.

Persons not mature enough to, or intellectually capable of, understanding the ramifications of improper use of the firearm.

Persons under the influence of any drug, alcohol or substance that could impair their perception, judgment or motor skills.

Persons dealing with a present mental health condition that impairs their perception, judgment or motor skills.

Persons Contemplating Suicide.

Persons with malicious, violent or criminal intent.

Keep in mind that YOU could become an “unauthorized person” at some point, knowing when to remove immediate access to your own firearms is part of Responsible Gun Ownership.

WARNING: WHEN FIREARMS ARE USED OR STORED IMPROPERLY, THEY POSE A RISK OF SERIOUS INJURIES OR DEATH. FIREARMS CAN BE ESPECIALLY DANGEROUS TO CHILDREN WHEN THEY ARE STORED IN AN IRRESPONSIBLE OR UNSAFE MANNER. FOR YOUR SAFETY AND THE SAFETY OF OTHERS, IT IS IMPERATIVE THAT YOU STAGE OR STORE YOUR FIREARM PROPERLY. THE AMMUNITION SHOULD BE STORED IN A SEPARATE, SECURE LOCATION WHEN IT IS NOT IN USE. SAFE AND SECURE STORAGE OF YOUR FIREARM IS THE FIRST RESPONSIBILITY OF FIREARMS OWNERSHIP WHEN THE FIREARM IS NOT UNDER YOUR IMMEDIATE CONTROL.

- **Never attempt to install a cable or trigger locking device on a loaded firearm.**
- **If you are not Responsibly Staging a firearm for defensive use, it is recommended that you STORE YOUR FIREARM AND AMMUNITION SEPARATELY** so that they are not accessible to unauthorized persons. In some jurisdictions, storing ammunition and firearms separately is required by law.
- **HIDING A GUN, WITHOUT PHYSICALLY SECURING IT, WILL NOT PREVENT UNAUTHORIZED ACCESS.**
- **YOUR FIREARM IS YOUR RESPONSIBILITY.** You must take steps to prevent your firearm from being stolen or from being used by untrained or unqualified individuals. Keep it unloaded and locked or secured when not in use. “Defensive Staging” for quick access in an emergency is considered a use of your firearm, but staging must be done in a way that prevents unauthorized access and should **ONLY** be done after proper training and practice.

AMMUNITION SAFETY

WARNING: ONLY USE AMMUNITION SPECIFICALLY DESIGNATED FOR USE IN YOUR FIREARM. FAILURE TO USE THE CORRECT TYPE OR CALIBER OF AMMUNITION MAY CAUSE THE FIREARM TO MALFUNCTION OR MAY GENERATE EXCESSIVE PRESSURE WHICH CAN DAMAGE THE FIREARMS AND/OR CAUSE INJURY OR DEATH TO YOU OR OTHERS.

WARNING: IN SOME CASES, A ROUND OF AMMUNITION NOT SPECIFIED ON YOUR FIREARM MAY FIT INTO THE CHAMBER. FIRING THIS AMMUNITION MAY CAUSE A RUPTURE RESULTING IN DAMAGE TO THE FIREARM AND/OR INJURY OR DEATH TO YOU OR OTHERS.

WARNING: ALWAYS INSPECT YOUR AMMUNITION BEFORE USING IT. NEVER USE DIRTY, CORRODED OR DAMAGED AMMUNITION.

WARNING: DISCHARGING FIREARMS IN POORLY VENTILATED AREAS, CLEANING FIREARMS, OR HANDLING AMMUNITION MAY RESULT IN EXPOSURE TO LEAD AND OTHER SUBSTANCES KNOWN TO CAUSE BIRTH DEFECTS, REPRODUCTIVE HARM, AND OTHER SERIOUS PHYSICAL INJURY. HAVE ADEQUATE VENTILATION AT ALL TIMES. WASH HANDS THOROUGHLY AFTER EXPOSURE.

Avidity Arms encourages current and prospective gun owners to make the following three commitments to own and use their guns responsibly. The GunPRO Pledge empowers the gun community with a mechanism to promote responsible gun ownership and reduce negative outcomes involving guns.

- 1. Get Education & Training in the responsible and safe use of their firearms.**
- 2. Take steps to Prevent Unauthorized Access to their firearms, including not transferring a gun to anyone they believe would violate GunPRO principles.**
- 3. Seek Help and Remove Access to firearms during times of extreme emotional stress or mental illness that could impair their judgment in regard to responsible use.**

The GunPRO pledge should be read aloud in front of two peer witnesses who vouch for and commit to supporting the gun owner in meeting the obligations of the pledge.

By participating in GunPRO, gun owners create a shared obligation for responsibility and introduce a mechanism for accountability that doesn't involve the Government. These peer relationships will allow the gun community to "police its own" and take meaningful steps to reduce injury & death resulting from negligence. At the same time, GunPRO relationships create opportunities to identify behavior that could lead to harm of self or others when pre-crisis intervention is possible.

Taking the GunPRO Pledge is strictly voluntary, intended to prevent negative outcomes without any restriction on Second Amendment Rights.

WTTA

WALK THE TALK AMERICA

If you are dealing with a mental health crisis, or to learn about proactive mental health care, reach out for professional help or Walk The Talk America for gun-owner friendly Mental Health Resources.

Wtta.org



Take the GunPRO Pledge and encourage other gun owners to do so as well!

